

KUDU™ Series 109 Full Length Hoop Set (#BRX02392)

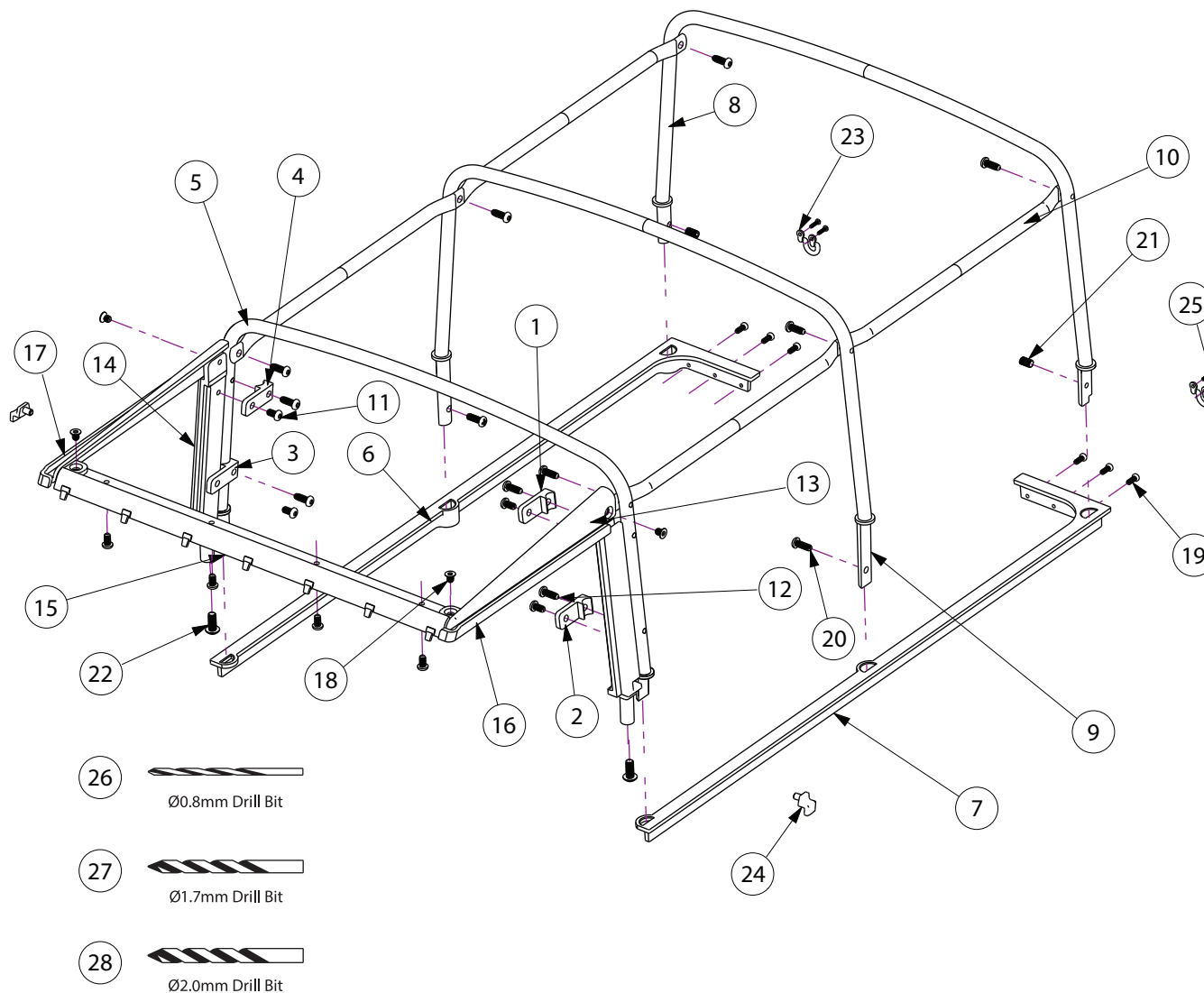
Difficulty Level: ★★☆☆☆

INSTALLATION MANUAL

For best results, we recommend to paint everything first before gluing and assembly.

Parts Included:

	Qty.
(1) Hoop Retainer	1
(2) Hoop Retainer	1
(3) Hoop Retainer	1
(4) Hoop Retainer	1
(5) Front Hoop Alum	1
(6) Hoop Mount	1
(7) Hoop Mount	1
(8) Rear Hoop Alum	1
(9) Center Hoop Alum	1
(10) Horizontal Tie Bar Alum for Series 109	2
(11) M2 x 4 RS Screw	8
(12) M2 x 6 RS Screw	10
(13) Drain Channel Left Door Top Alum	1
(14) Drain Channel Right Door Post Alum	1
(15) Header Rail Alum	1
(16) Drain Channel Left Door Post Alum	1
(17) Drain Channel Right Door Top Alum	1
(18) M2 x 3 CSS Screw	4
(19) ST1.5 x 4 RS Screw	6
(20) ST2 x 5 RS Screw	2
(21) M2.5 x 3 Set Screw	2
(22) M2.5 x 6 RS Screw	2
(23) Metal Rear Loop Tie Down	2
(24) Tie Down Cleat	5
(25) ST1.5 x 4 RS Screw	4
(26) Ø0.8mm Drill Bit	1
(27) Ø1.7mm Drill Bit	1
(28) Ø2.0mm Drill Bit	1
(29) Canvas Soft Top	1



KUDU™ Series 109 Full Length Hoop Set (#BRX02392)

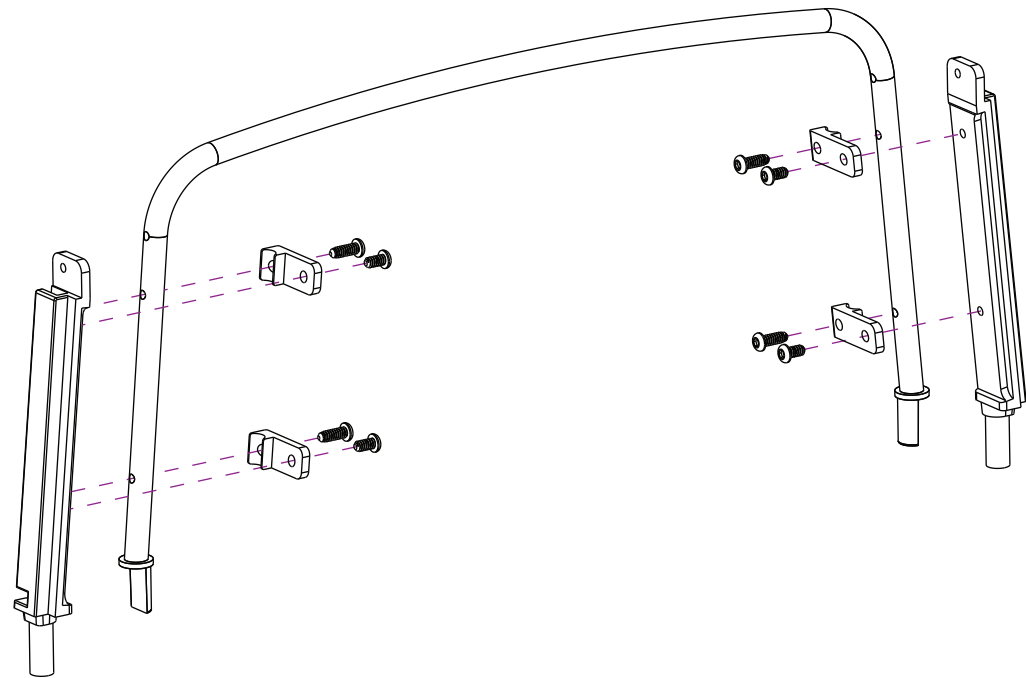
Difficulty Level: ★★☆☆☆



Note that before you install the cage, we recommend you scan the QR code to watch the video. There are some steps for the soft top that have to be done first before the cage is installed onto the body if you wish to have the soft top on.



Painting or dyeing the soft top fabric with certain materials may cause shrinkage.

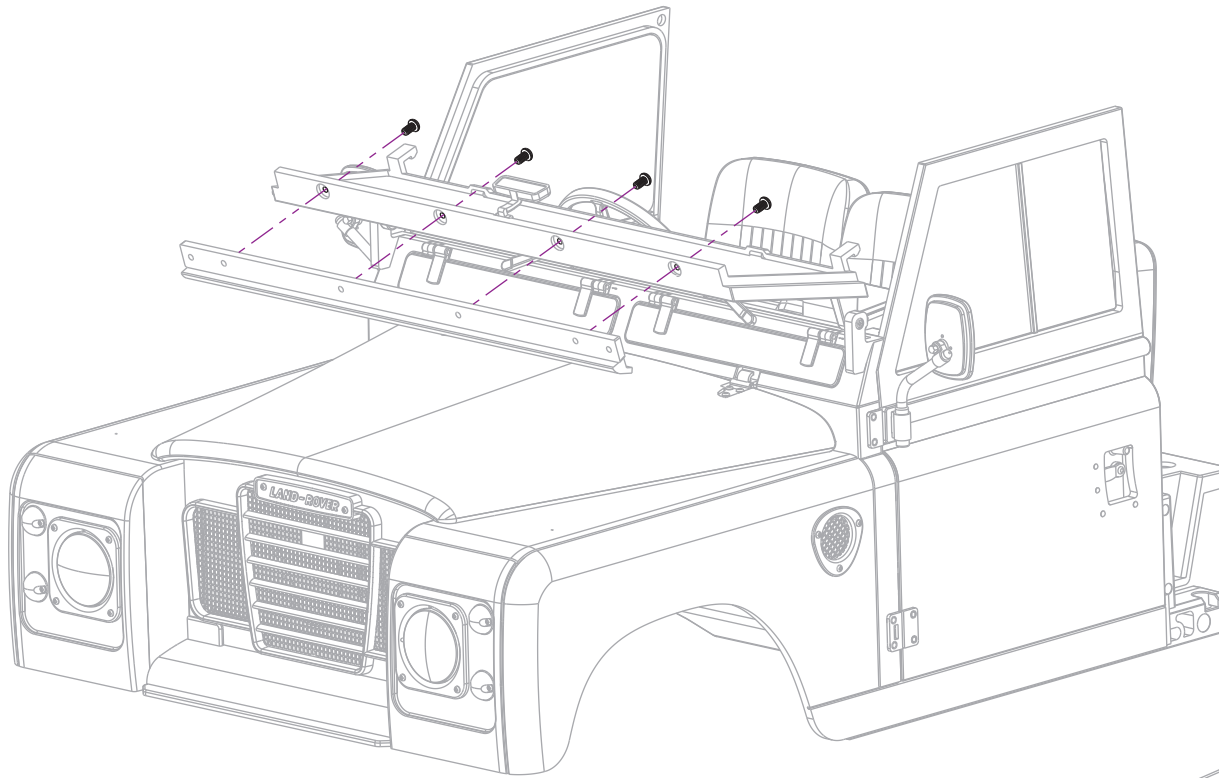


1.

Attach the two side door drain channels to the hoop with the four brackets using eight screws.

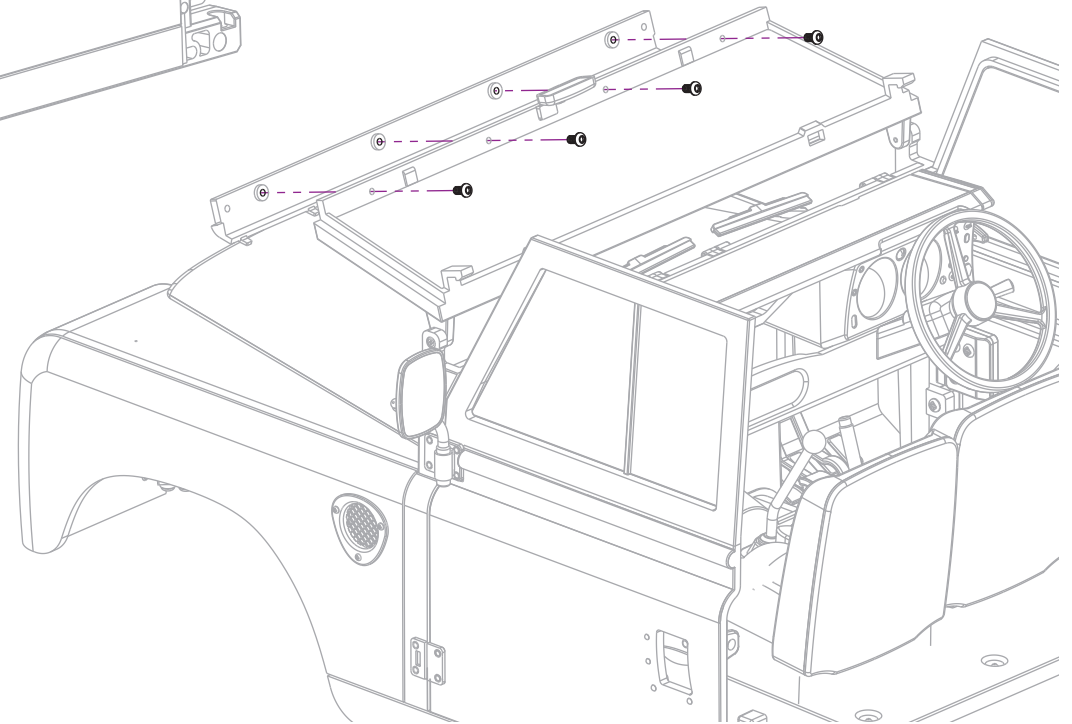
KUDU™ Series 109 Full Length Hoop Set (#BRX02392)

Difficulty Level: ★★☆☆☆



2.

Attach the head rail to the front screen using four screws.



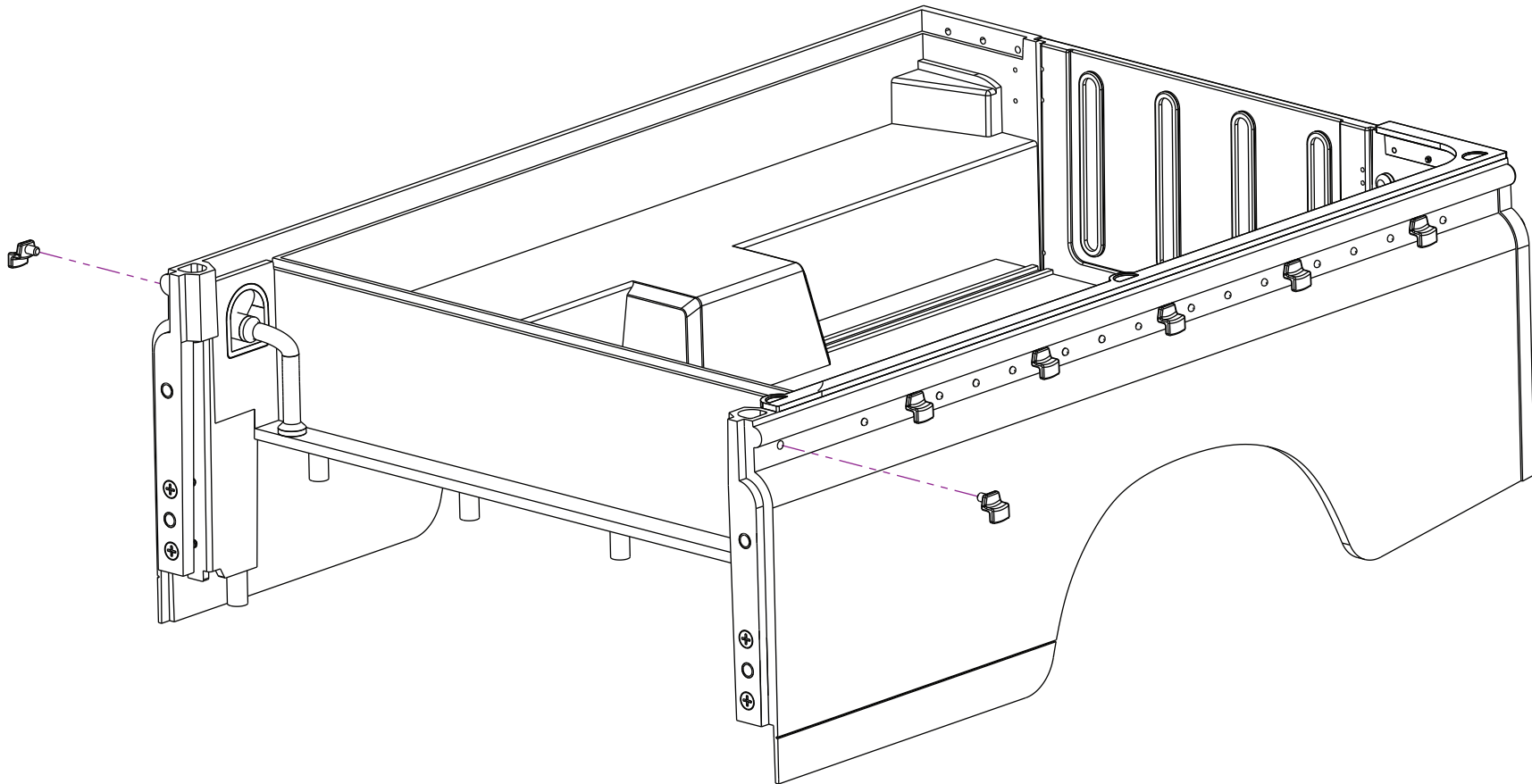
KUDU™ Series 109 Full Length Hoop Set (#BRX02392)

Difficulty Level: ★★☆☆☆

3.

Measure and align one rope hook on each side of the main rear bed as indicated.

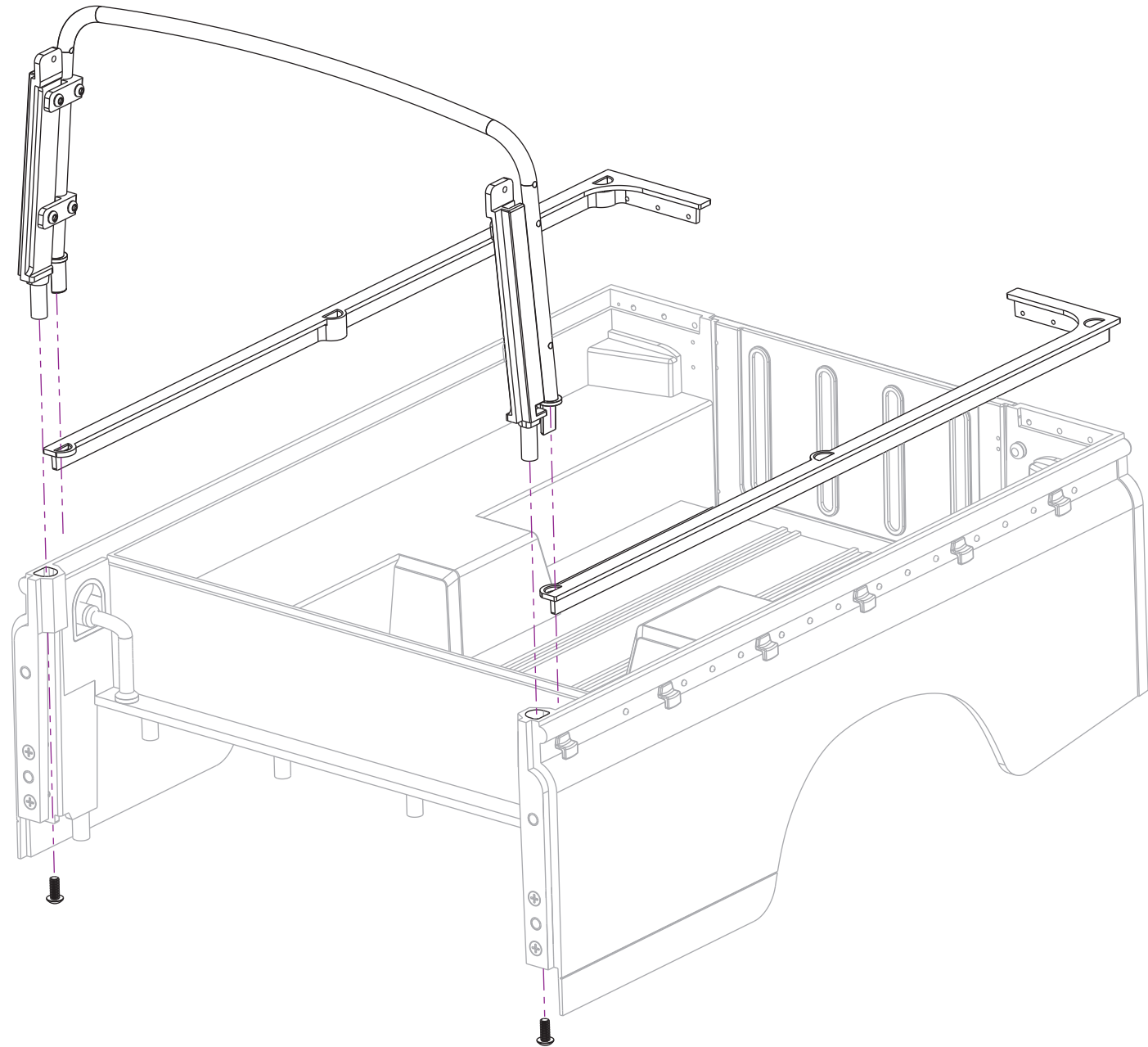
Drill and glue onto each side.



KUDU™ Series Land Rover® Realistic Engine Bay Set (#BRX02392)

Difficulty Level: ★★☆☆☆

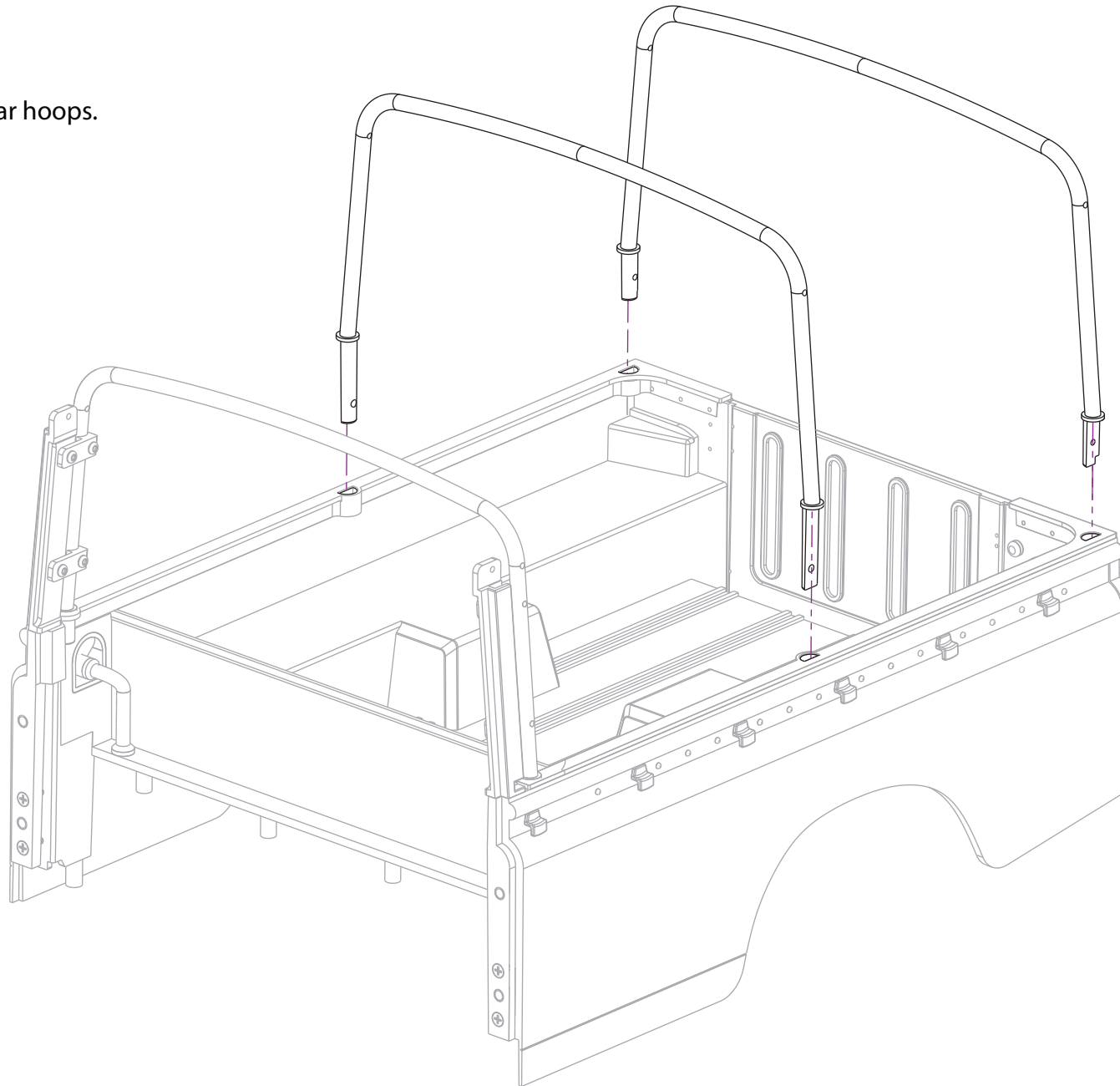
4. Insert the hoop assembly through the hoop mount.



KUDU™ Series 109 Full Length Hoop Set (#BRX02392)

Difficulty Level: ★★☆☆☆

5. Insert the center and rear hoops.

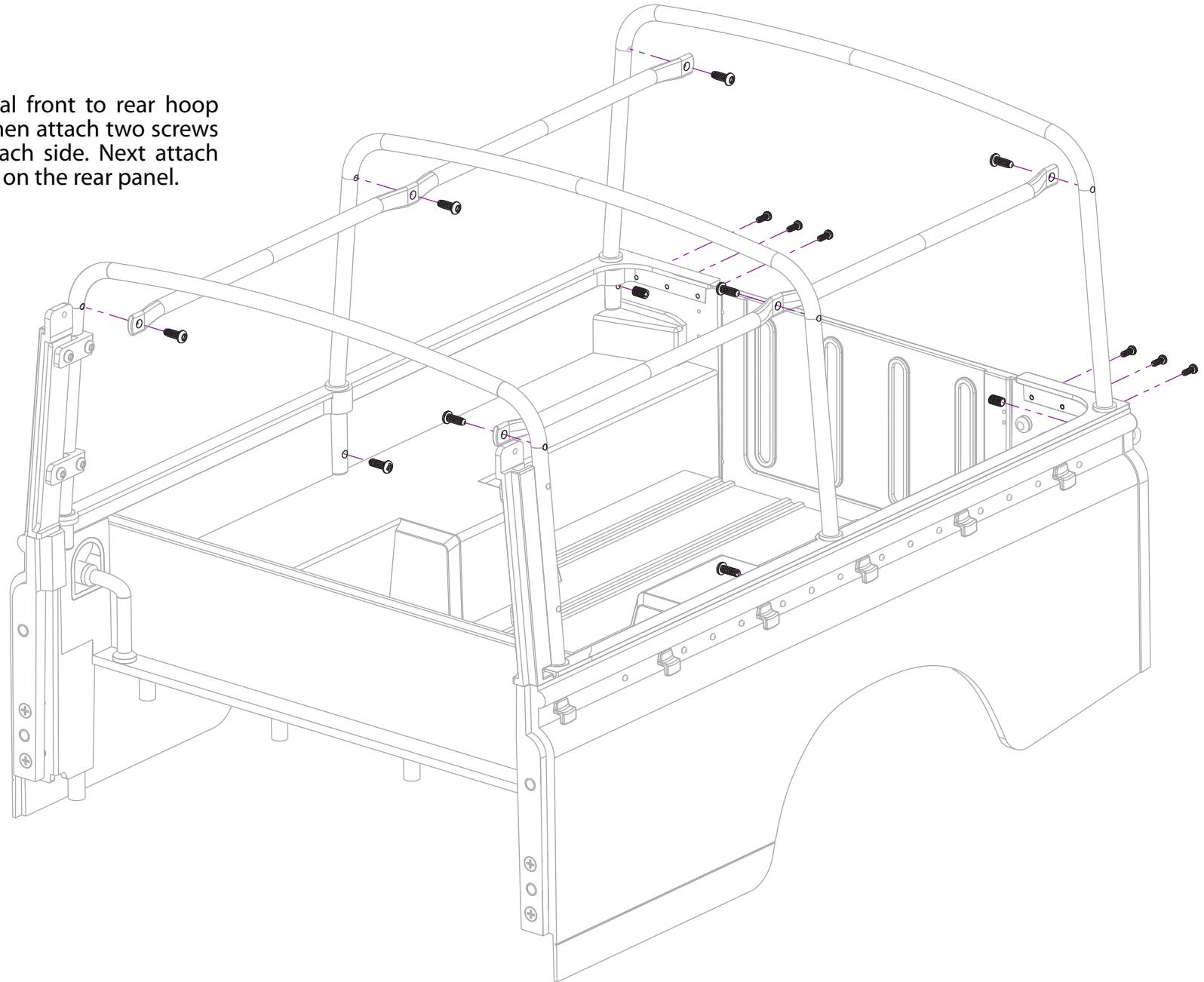


KUDU™ Series 109 Full Length Hoop Set (#BRX02392)

Difficulty Level: ★★☆☆☆

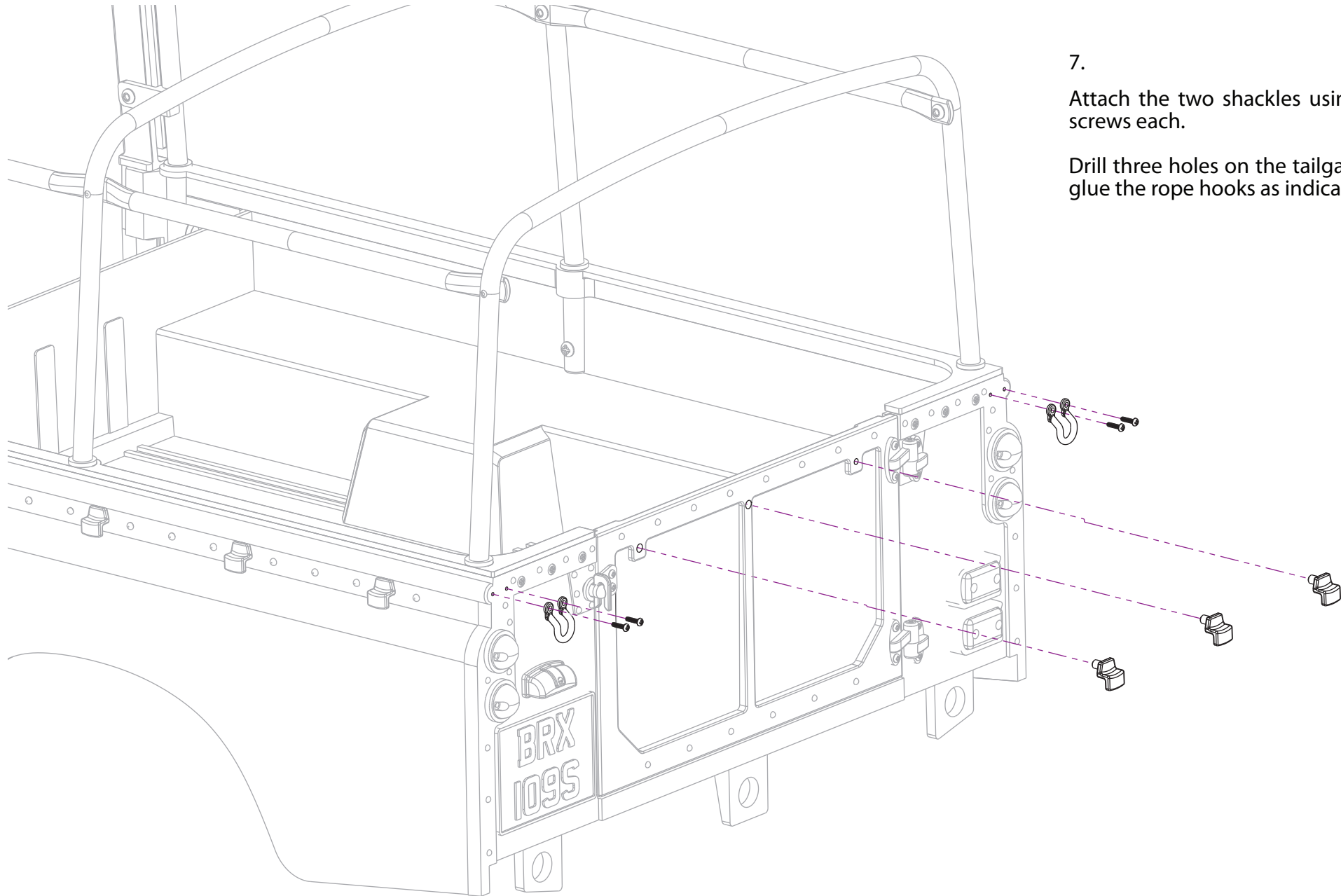
6.

Attach the two horizontal front to rear hoop sticks using six screws. Then attach two screws to the center hoop to each side. Next attach three screws to each side on the rear panel.



KUDU™ Series 109 Full Length Hoop Set (#BRX02392)

Difficulty Level: ★★☆☆☆



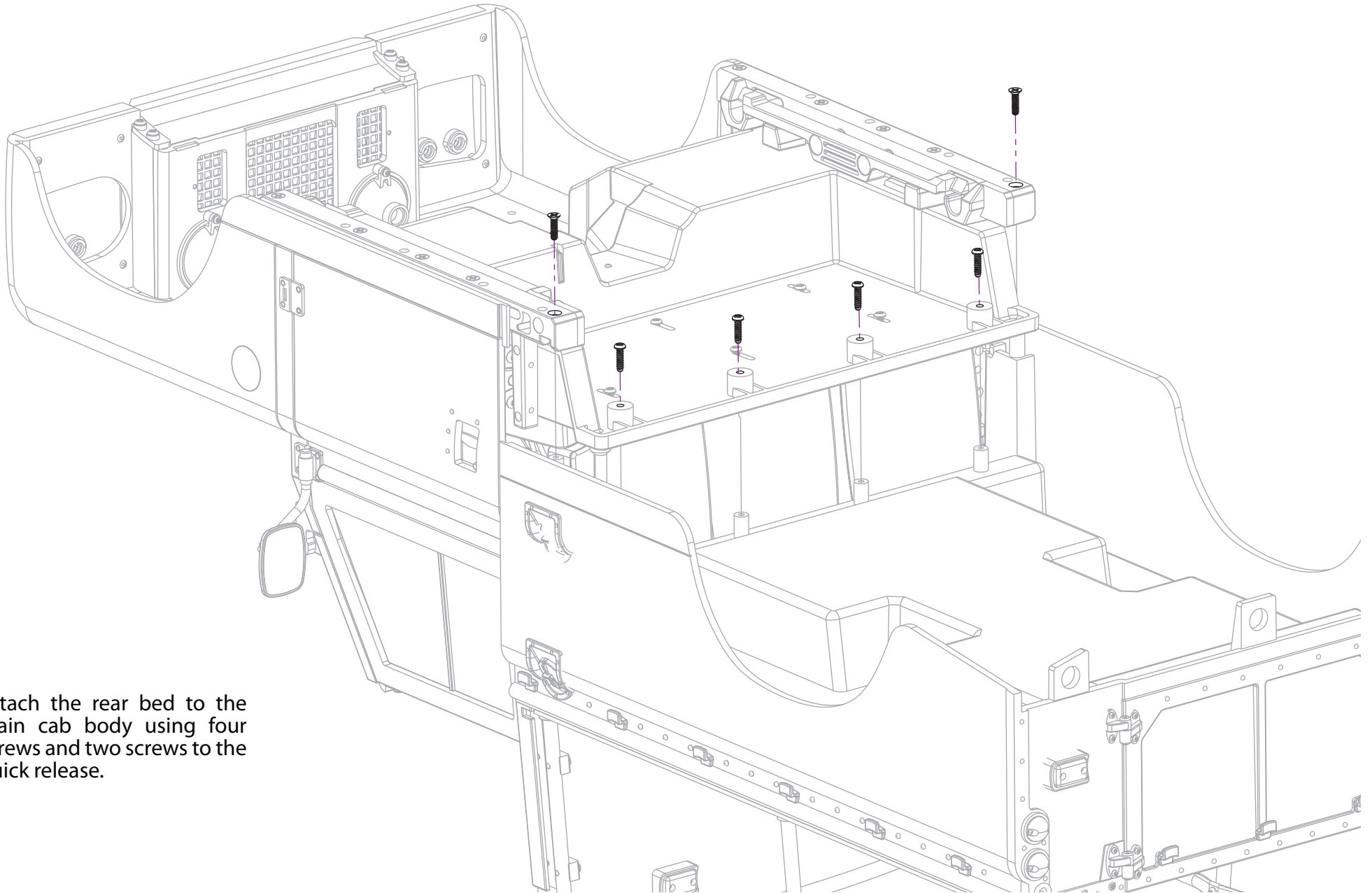
7.

Attach the two shackles using two screws each.

Drill three holes on the tailgate and glue the rope hooks as indicated.

KUDU™ Series 109 Full Length Hoop Set (#BRX02392)

Difficulty Level: ★★☆☆☆



8.

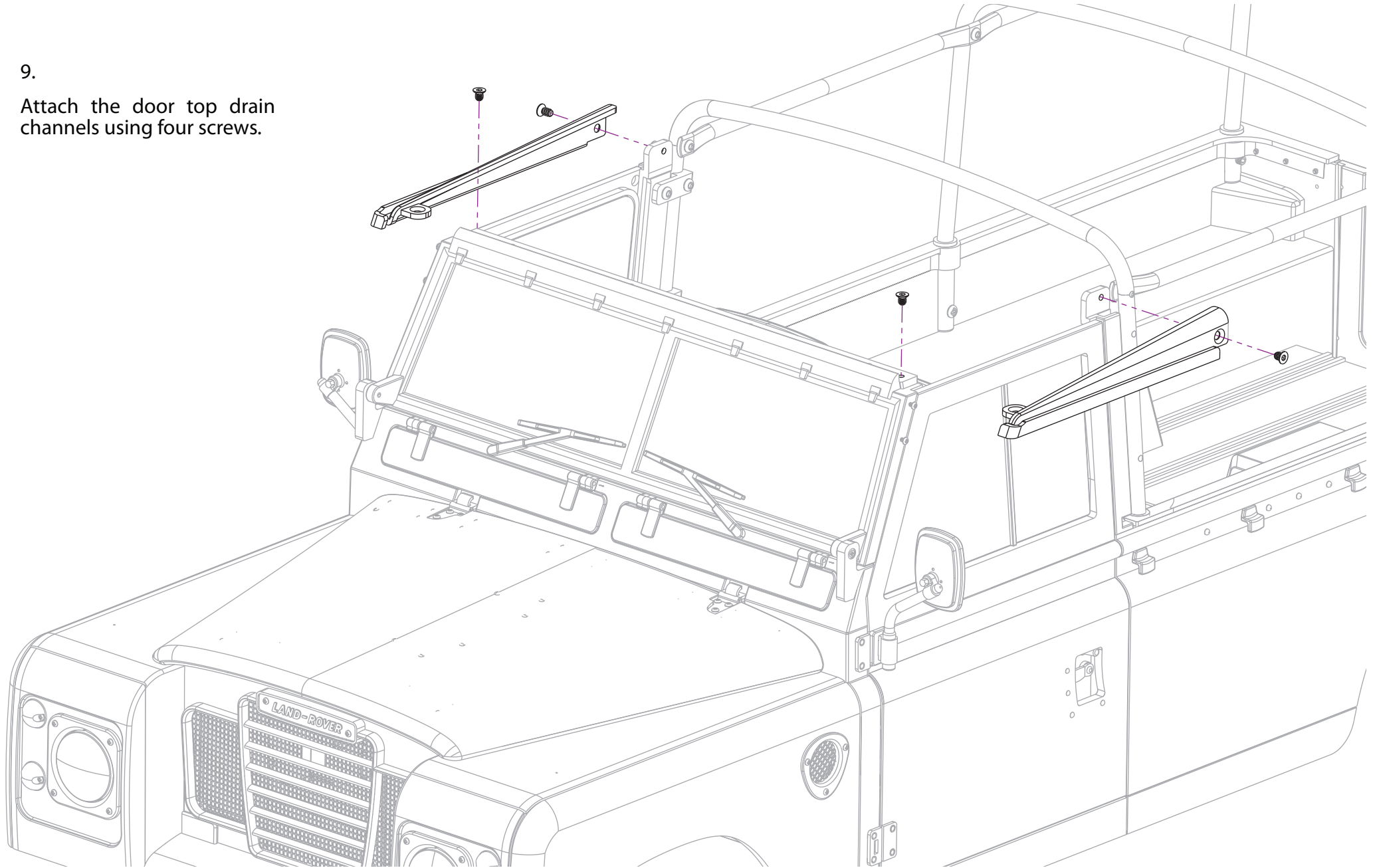
Attach the rear bed to the main cab body using four screws and two screws to the quick release.

KUDU™ Series 109 Full Length Hoop Set (#BRX02392)

Difficulty Level: ★★☆☆☆

9.

Attach the door top drain channels using four screws.



KUDU™ Series 109 Full Length Hoop Set (#BRX02392)

Difficulty Level: ★★☆☆☆

